

Datasheet

Lithium Ion Battery 167-0120290C

Lithium Iron Phosphate

12 V / 29 Ah Battery for General Cyclic Purpose

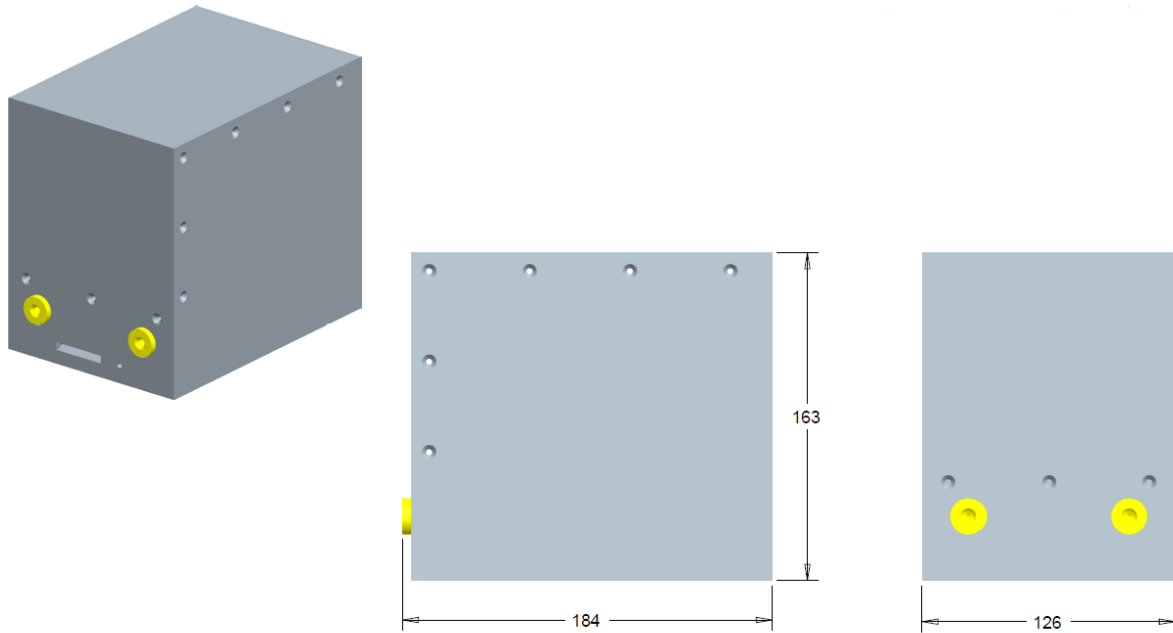
General:

Configuration of Cells:	4s7p
Nominal Voltage:	$V_N = 12.8 \text{ V}$
Nominal Capacity (1 hour rate):	$C_1 = 29,7 \text{ Ah}$
Nominal Energy:	$E_N = 380 \text{ Wh}$
Maximum Discharge Current:	25 A
Maximum Peak Discharge Current:	40 A
Discharge Cut Off Voltage:	10.8 V
Charging Voltage:	14.6 V
Maximum Charging Current:	15 A
Charging Regime:	CV (Constant Voltage)
Operational System:	BOCS (Battery Operation and Control System)
Operating Temperature:	Discharge: $-20^\circ \text{ C} - +50^\circ \text{ C}$ Charge: $-10^\circ \text{ C} - +50^\circ \text{ C}$

Materials, Dimensions and Weight:

Length:	184 mm
Width:	126 mm
Height incl. Terminals:	163 mm
Weight:	$m = 4.3 \text{ kg}$
Casing:	Polystyrene, UL 94-V0, IP 41
Terminal:	Female M6, Brass or customer specific connector
Torque:	8 Nm

Mechanical:



LED-Signals:

Pressing the reset button would activate the LED's for 5 sec.

Only red LED on: Battery is empty; please connect a charger!

- 1 green LED on: SOC \geq 25%
- 2 green LED on: 25% < SOC \leq 50%
- 3 green LED on: 50% < SOC \leq 75%
- 4 green LED on: 75% < SOC \leq 100%